

## SQUARE BOTTOM BAG

### SEAL AREAS

- A** Minor discoloration may occur due to the higher level of heat and pressure that are required to achieve a complete seal.

### APPLICATION TOLERANCES

- B** E-ZIP  
+/- 1/8" (~3mm)
- C** VALVE  
+/- 1/8" (~3mm)  
in any direction.

### ALIGNMENT TOLERANCE

- D** ARTWORK  
+/- 1/16" (~2mm)  
Ensure all artwork is centered.  
May show bleed from previous print.

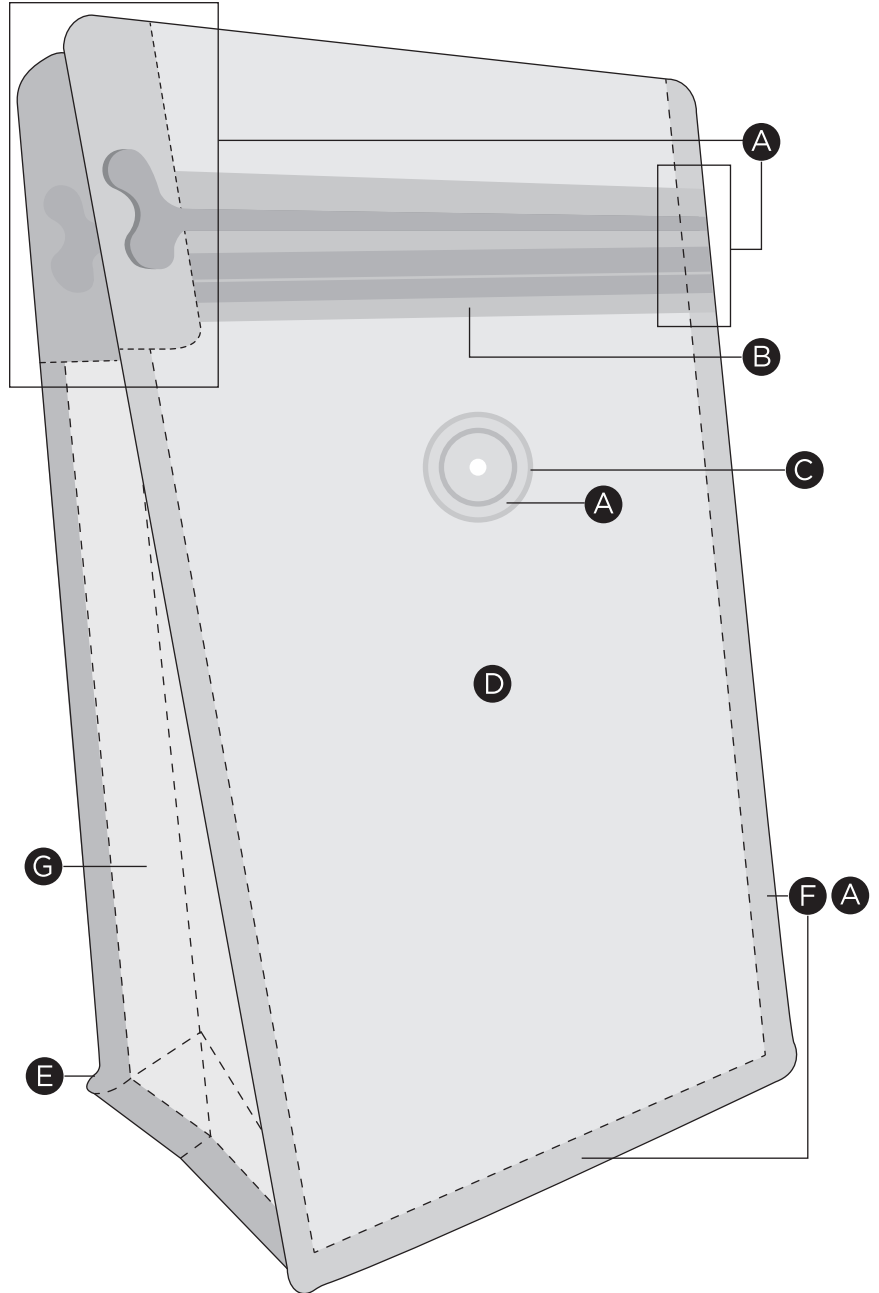
### OTHER TOLERANCES

- E** CORNER RADIUS  
+/- 1/16" (~2mm)
- F** SEAL SIZE  
+/- 1/8" (~3mm)
- G** SIDE & BOTTOM PANEL POSITIONS  
+/- 1/8" (~3mm)  
in any direction.

### QUANTITY Per SKU

+/- 15%

We may produce and ship slightly above or below your desired quantity, therefore you may have a remaining balance if we produce and ship more, or be reimbursed if we produce and ship less.



Signature: \_\_\_\_\_

Date: \_\_\_\_\_

\*Please return the signed form to your sales representative.

rev0621